



INSTALLATION INSTRUCTIONS FOR

# MacWireless Power Over Ethernet Splitter Kit for 11g AirPort Extreme Base Station

<b>Table of Contents</b>	
<b>Introduction</b>	<b>1</b>
<b>Installation</b>	<b>1</b>

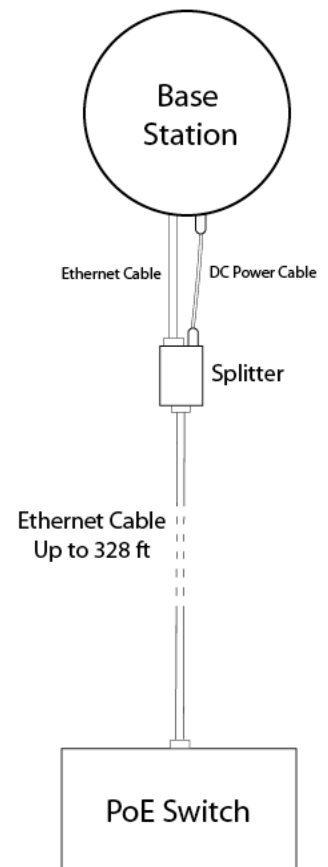


## Introduction

The Power over Ethernet (PoE) splitter kit contains three parts: a splitter, a short ethernet cable, and a short black DC cable. Follow the instructions below to set up your PoE kit. There is also a diagram below showing a correctly assembled system.

## Installation

1. Find the short black DC cable included with the PoE kit. Plug one end of this cable into the "DC OUT" port on the splitter, and the other end of the cable into the power port on your base station.
2. Find the short Ethernet cable included with the PoE kit. Plug one end of this cable into the "LAN OUT" port on the PoE splitter, and plug the other end of the cable into the WAN port on your base station.
3. Plug another Ethernet cable (not provided) into the "LAN IN" port on the PoE splitter. Plug the other end of this cable into an available Ethernet port on your PoE switch. Maximum length for this Ethernet cable is 328 feet.
4. Installation is complete. Your base station should now be receiving both power and data.



*Disclaimer: Although this product has been tested and verified, MacWireless does not accept responsibility for loss or damage to any equipment or device. Use at your own risk.*