



INSTALLATION INSTRUCTIONS FOR

MacWireless Booster

For 15" Aluminum PowerBooks (1.0/1.25 Ghz) with an AirPort Extreme Card



Table of Contents

Introduction	1
Installation	1
Troubleshooting	3

Introduction

Thank you for purchasing a MacWireless booster. Before installing your booster, we recommend that you test your current signal level using iStumbler. Compare this result to the signal level after installation to see how much your connection has improved. iStumbler is included on the MacWireless CD in the "Extra Software" directory, and is also available for download at: <http://www.istumbler.net/>

Installation

1. Shut down your PowerBook, disconnect the power cord, and fold the screen closed.
2. Turn the computer over and remove the battery.
3. Remove the six screws from the sides of the computer, three on each side.
4. Remove the two screws from the battery compartment and the four screws from the memory slot door.
5. Remove the memory compartment door and any installed memory modules.
6. Remove the two screws in the memory compartment, and the four screws just above the memory compartment.
7. On the back of the machine, near the hinges connecting the screen to the computer, remove only the top two screws on either side of the hinge as in Figure 1 below.

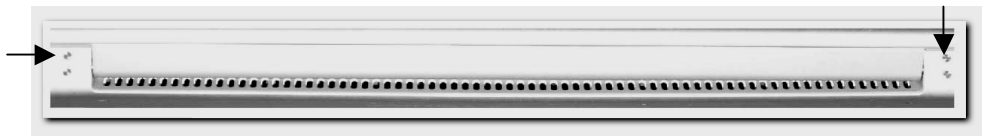


Figure 1

8. Fold open your screen and remove the two screws near the corners of the keyboard.
9. Pull up on the front and sides of the case until the keyboard and case lift up. Rest the case and keyboard against the screen. You need not remove the cables connecting the keyboard to the motherboard.
10. Disconnect the large orange ribbon cable near the battery compartment as shown in Figure 2 on the reverse side of this sheet.
11. Underneath the ribbon cable is the black and gray AirPort Antenna cable. Pull this cable apart at the gold connector as shown Figure 3 on the reverse side of this sheet.

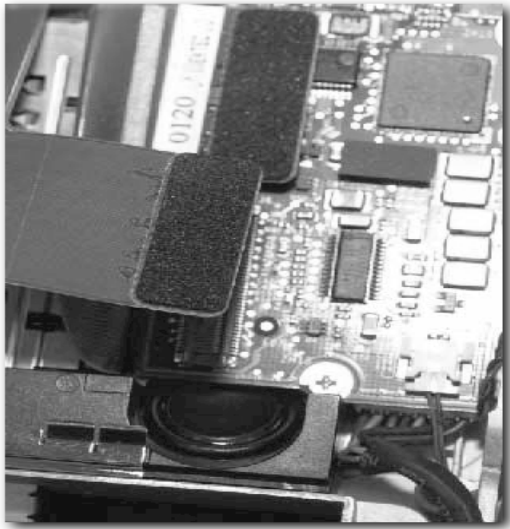


Figure 2

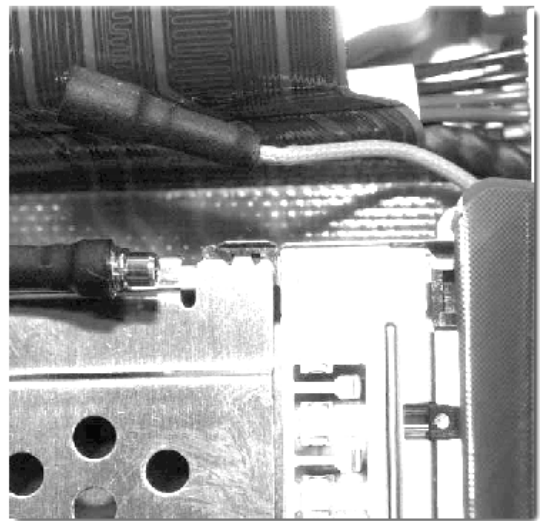


Figure 3

12. From outside the machine, pass the smaller end of the MacWireless antenna cable adapter through the PC slot. Connect this cable to the gray section of the internal AirPort antenna cable as shown below in Figure 4 below.

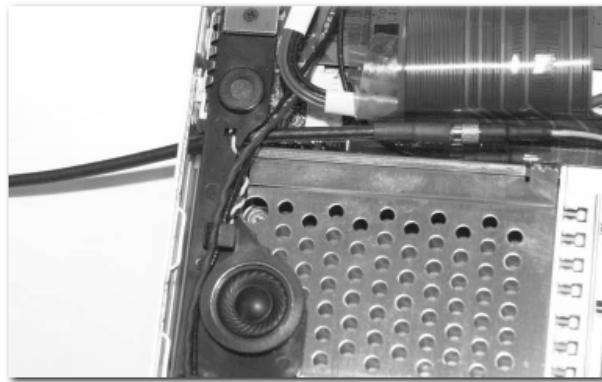


Figure 4

13. Replace the orange ribbon cable.
14. Replace the case and keyboard.
15. Replace the two screws near the corners of the keyboard.
16. Fold the screen closed and replace the two screws in the hinge area.
17. Turn the machine upside down. Replace the four screws above the memory compartment and the two screws inside the memory compartment.
18. Replace the memory modules and the memory compartment door.
19. Replace the two screws in the battery compartment and the four screws in the memory slot door.
20. Replace the six screws in the sides of the computer.
21. Replace the battery and turn the machine over.
22. Attach the gold SMA extension cable to the end of the white MacWireless cable adapter.
23. Connect the other end of the gold SMA extension cable to the booster's radio jack. The jacks are labeled on the bottom of the booster.
24. Connect an antenna to the booster's antenna jack. If you are using a Dr. Bott Antenna, connect the Dr. Bott adapter to the end of the antenna cable before connecting it to the booster.
25. Connect the AC adapter to the booster's DC jack and plug it into an electrical outlet.
26. Power on your computer and position the antenna for optimal performance.
27. Installation is complete! You can verify your installation by comparing to Figure 5 on the reverse side of this document.

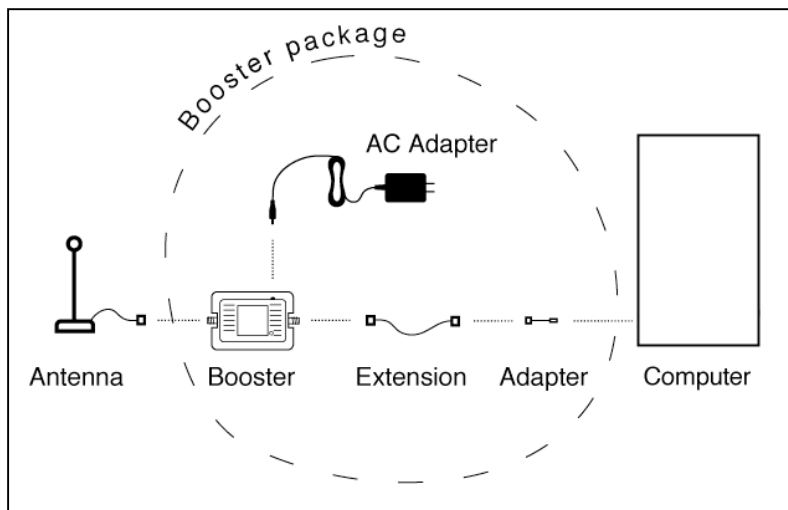


Figure 5

Troubleshooting

I'm not seeing a significant increase in range. What can I do?

1. Verify the physical connections, and make sure that you power-cycle your wireless device after connecting or disconnecting range extending hardware.
2. Aim the antenna appropriately. For more information on how your antenna radiates energy, see the antenna help section of our website: <http://www.macwireless.com/html/help/antenna.html>

Factors Affecting Range and Performance of All Wireless LAN Systems

Range estimates are typical and require line of sight. Basically that means you will need a clear unobstructed view of the antenna from the remote point in the link. Keep in mind that walls and obstacles will limit your operating range and could even prevent you from establishing a link. Signals generally will not penetrate metal or concrete walls. Trees and leaves are obstructions to 802.11 frequencies so they will partially or entirely block the signal. Other factors that will reduce range and affect coverage area include metal studs in walls, concrete fiberboard walls, aluminum siding, foil-backed insulation in the walls or under the siding, pipes and electrical wiring, furniture, and sources of interference. The primary source of interference in the home will be the microwave oven. Other sources include other wireless equipment, cordless phones, radio transmitters, and other electrical equipment. Due to the increased gain, installing range extender antennas in the presence of interference could actually yield equal or worse range. These solutions work for the vast majority of our customers. However, due to the numerous factors affecting range and performance, we do not guarantee that you will achieve any specific improvement in range for your specific application.

This modification may void your warranty. MacWireless accepts no responsibility or liability for any modification. Although MacWireless products have been tested and verified, MacWireless does not accept responsibility for loss or damage to any equipment or device. Use at your own risk.